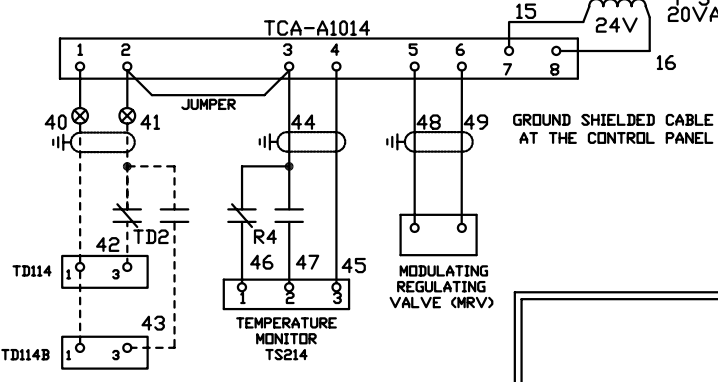
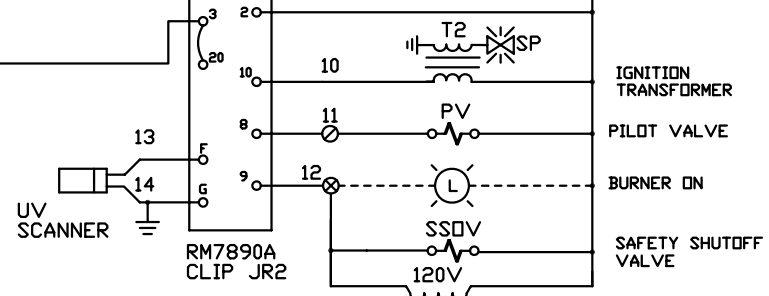
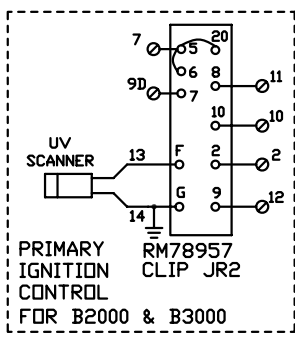
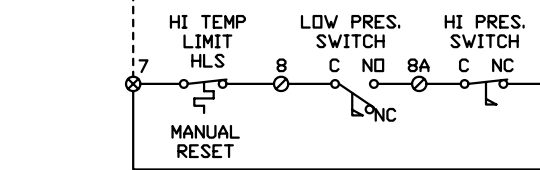
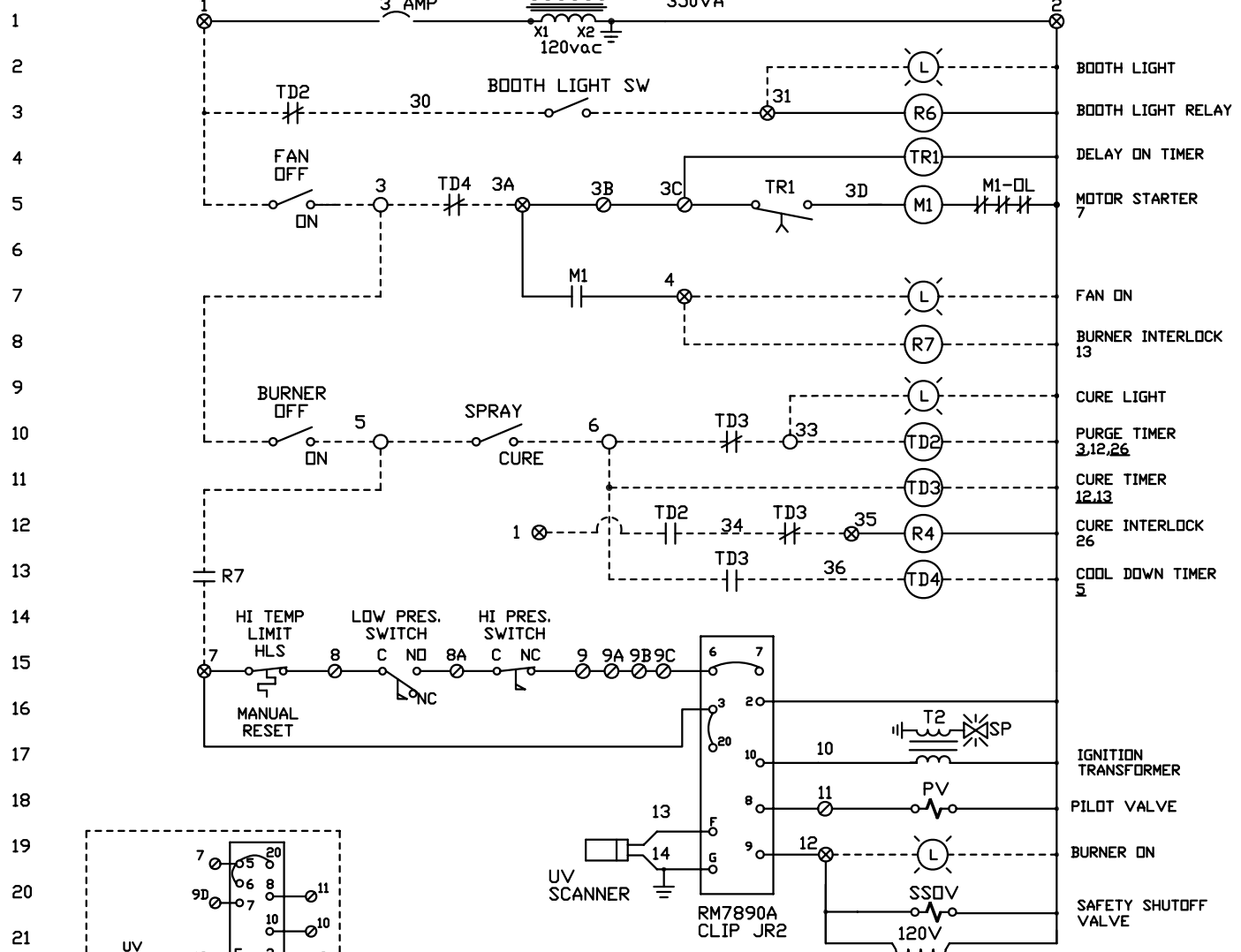


T1 TRANSFORMER
PRIMARY CONNECTION

H1 - 460 USE 1.6 AMP BREAKER
H2 - 230 USE 3.0 AMP BREAKER
H3 - 208 USE 4.0 AMP BREAKER
H4 - COMMON



WIRE CONNECTIONS
REMOTE TO MAIN PANEL
1, 2, 3A, 4, 7, 12, 31, 35
40, 41 (SHIELDED WIRE)

- NOTES:
- WIRE OVER 24VAC TO BE A MINIMUM OF 16 AWG FLEXING TYPE MTW, 105C, 600V OR EQUIVALENT
COLORS 115VAC: PHASE-RED, NEUTRAL-WHITE, GROUND-GREEN
COLORS 24VAC: BLUE
 - CONTROL WIRE TO BE A MINIMUM OF 20 AWG TYPE BELDEN 5401FE
CMR 75C SHIELDED OR EQUIVALENT
 - POWER SUPPLY AND MOTOR WIRES TO BE SIZED TO NFPA79, LATEST EDITION
COLORS ALL VOLTAGES: PHASE(S)-BLACK, GROUND-GREEN
- ⊙ TERMINALS LOCATED IN CONTROL PANEL ONLY
 - ⊗ TERMINALS LOCATED IN CONTROL PANEL AND CONNECTED TO THE REMOTE PANEL
 - TERMINALS LOCATED IN REMOTE PANEL ONLY
 - WIRE(S) LOCATED IN CONTROL PANEL
 - - - WIRE(S) LOCATED IN REMOTE PANEL
 - ⊕ SHIELDED WIRE(S), ONE END GROUNDED

TITLE: 80040 DUAL #2

DRAWING NUMBER: 80040 REV NUMBER: D DRR-1748

DRAWN BY: JM DATE: FEB 21, 07

SCALE: NONE SHEET: 1 OF 1